



## DESCRIPTION:

HD Narrow Palm Copper Tube Terminals are specially developed for applications to include L.V. circuit breakers with a reduced space terminal block. The contained palm width allows an immediate and easier installation. Smaller sizes are available, and larger sizes up to 1000mm<sup>2</sup> are available on request. Please contact us for details.

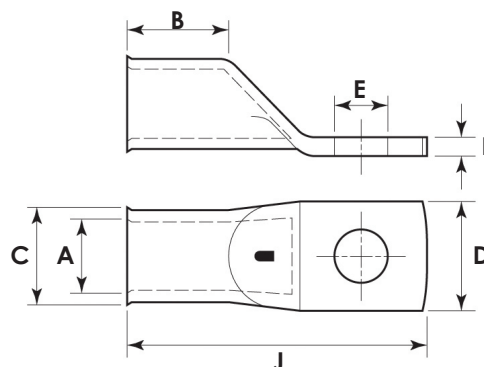
## SPECIFICATION:

### MATERIAL:

Seamless Copper Tube to BS EN 12449: 1999.

### APPROVALS:

BS EN 61238-1-2003 and BS 4579 bright electro tin plating to BS 1872: 1974.



### DIMENSIONS (mm)

CABLE SIZE mm <sup>2</sup>	PART NO.	STUD SIZE mm	B	D	A	C	J	F	PACK QTY
70	CCT70-8NP	8.0	18.0	17.0	11.5	15.0	48.0	3.5	1
95	CCT95-8NP	8.0	24.0	19.0	13.5	17.0	58.0	3.5	1
	CCT95-10NP	10.0	24.0	19.0	13.5	17.0	58.0	3.5	1
120	CCT120-10NP	10.0	27.0	19.0	15.0	19.0	73.0	4.0	1
150	CCT150-10NP	10.0	27.0	19.0	16.5	21.0	78.0	4.5	1
185	CCT185-12NP	12.0	30.0	25.0	18.5	23.0	82.0	4.5	1
240	CCT240-12NP	12.0	32.0	31.0	21.0	26.0	88.0	5.0	1
300	CCT300-12NP	12.0	37.0	31.0	23.0	28.0	97.0	5.0	1
400	CCT400-12NP	12.0	38.0	31.0	27.0	32.0	113.0	5.0	1



# CABLECRAFT

creative wiring solutions



INVESTORS  
IN PEOPLE



CABLECRAFT COMPANY

Cablecraft House, Circle Business Centre, Blackburn Road, Houghton-Regis, Bedfordshire, LU5 5DD.  
 Phone: 01582 606033 • Fax: 01582 606063 • Email: sales@cablecraft.co.uk • Web: www.cablecraft.co.uk

VAT NO. GB 639 920 900 • CO. REG. NO. 2478297